

DIN-Rail Mount Switched Pass Through Relay 12ch 16A /per ch. with scene controller Multi Phase, Multi-Current, Multi voltage. Software Selectable programmable Motor function: Double Throw Dipole Grouping. Work 220/110 VAC, 50-60Hz as well as 1.5-48VDC (Green operated supplied by 24VAC/12mA) Small and elegant with easy labeling space, output status LED indicator, network health, broadcast address button and Momentary channel button. Can be used in any location that require energy saving, intelligent control such as apartment, Villa, Offices, Restaurant, Hotels or factories. *Can be Manually Programmed by any Electrician on site without need for PC. ** (This is an Advanced 2-way module. Changing load status manually reflect and update on all Connected SW & Devices)

Technical data



New added features as Simultaneous operation:

- a- Multi Phase
- b- Multi Current
- c- Multi Voltage
- d- Double Throw
- e- momentary
- f- Latching / toggling
- g- Scene from multi Units



www.smartsentido.com

Load compatibility

commercial

Supply

80-230VAC, 50/60Hz 1-3Phase and Pass through 1.5-48VDC. power consumption: 20-30mA

Outputs

12 x Isolated & Separated Switched Pass through outputs rated at 16A each output ch.

Maximum Total Load

192A total load of all channels

Control IO

3 x Advanced RS485 S-BUS serial port links (both train & screw link types)

Upgrade IO

1 x mini USB port (to connect to special programming board)

User Controls

- front panel override switches, Includes ON/OFF/AUTO override switch for each channel
- LED status indicator/channel
- Diagnostic LED+ BROADCAST

Programming

- Manual Ch. Pairing Programming Each Channel to a Button on Wall Panels (e.g. DDP2, FX8)
- Advanced Software Configuration & Programming

Compliance

CE Mark Low Voltage
CE Mark EMC
ROHS, CPT, SABS

Internal Protection

- Over Load Protection
- Protecting Delay 0-60min
- Startup Delay 0-25 Sec.
- BUS Rv. Polarity Protection
- BUS Short Circuit Protection

Preset and Scenes

12X12 Built in Scenes, & 12X2 Sequence Modes & Logics.

Installation

- 35mm DIN-Rail Mount Ready
- Wall Mount Ready (8P)

SBUS DC Supply

24VDC with flexible tolerance between 12-36VDC. Flexible ability to add power supply as to be needed any where

Supply Terminals

12 each is good for 2 x 2.5mm² or 1 x 4mm² max conductor size

Output Terminals

12 each is good for 2 x 2.5mm² or 1 x 4mm² max conductor size

Operating Environment

0° to 45°C ambient temperature
10% to 93% RH

Enclosure & Size

Polycarbonate, DIN-rail (8 Unit)

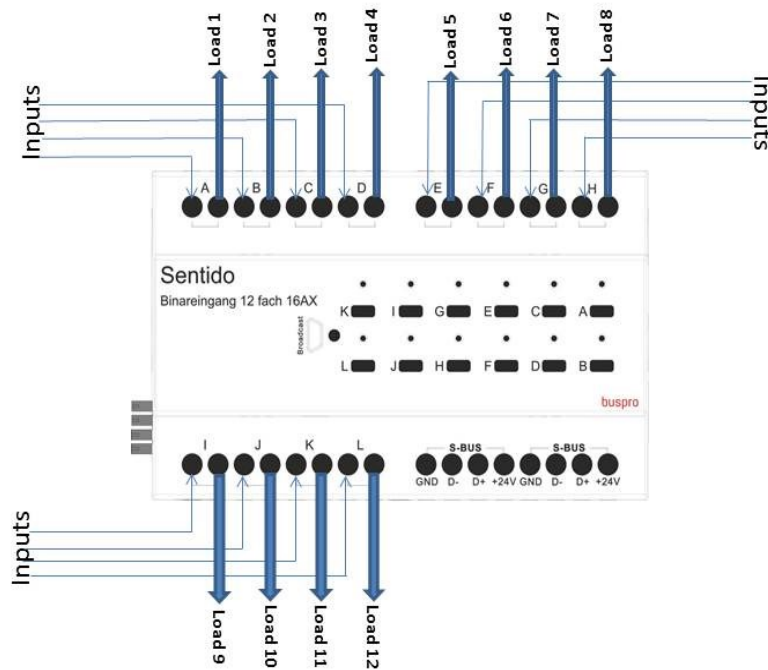
Dimensions & Weight

W 91mm x L 155mm x H 75mm
Packed weight 0.7kg

- All Types of Lighting
- Water Heaters & Appliances
- Water Pumps & Solenoids
- Track lighting
- Sirens, Flashers++



2022020400945,5

Electrical Diagram


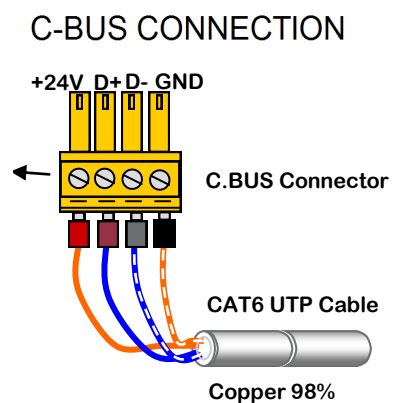
Warning: this is an electrical product, it must be installed only by trained & licensed electrician











PROSPECTIVE



SIDE VIEW


UTP core colors

S.BUS +24V		orange
S.BUS GND		w/orange
S.BUS D+		blue
S.BUS D-		w/blue
Spare		green
Spare		w/green
Spare +12v		brown
Spare -12V		w/brown